


Type BM6A Load Cell



Short description



- Stainless steel IP68 single point load cell
- Suitable for platform, belt scales and other weighing devices
- Hermetically sealed
- Maximum platform size: 350 x 350 mm

 test certificate no. TC7834 revision 1
C of C no R60/2000-NL1-10.32

Available models

Capacity	Accuracy	Full article description
6kg	C3	BM6A-C3-6kg-6B6
12kg	C3	BM6A-C3-12kg-6B6
30kg	C3	BM6A-C3-30kg-6B6
60kg	C3	BM6A-C3-60kg-6B6

Specifications and dimensions are subject to change without notice and do not constitute any liability whatsoever.

Type BM6A Load Cell

Detailed specifications BM6A

Accuracy class		OIML R60 C3		
Output sensitivity (= FS)	mV/V	2.0 ± 0.2		
Maximum capacity (E _{max})	kg	6, 12, 30, 60		
Max.number of load cell intervals	n _{LC}	3000		
Ratio of min. LC verification interval	$Y = E_{max} / V_{min}$	15000		
Combined Error	%FS	≤± 0.0230		
Minimum dead load	Of E _{max}	0%		
Safe overload	of E _{max}	150 %		
Ultimate overload	of E _{max}	300 %		
Zero balance	of FS	< ± 1.5 %		
Excitation, recommended voltage	V	5 ~ 12		
Excitation maximum	V	18		
Input resistance	Ω	400 ± 20		
Output resistance	Ω	350 ± 3.5		
Insulation resistance	MΩ	≥5000 (at 50VDC)		
Compensated temperature	°C	-10 ...+40		
Operating temperature	°C	-35 ...+65		
Storage temperature	°C	-40 ...+70		
Element material		Stainless steel		
Ingress Protection (acc. to EN 60529)		IP68		
Recommended torque on fixation	Nm	M6: 10		
ATEX classification (optional)		II1G Ex ia II1C T4	II1D Ex iaD 20 T73°C	II3G nL IIC T4

Wiring

Wiring:

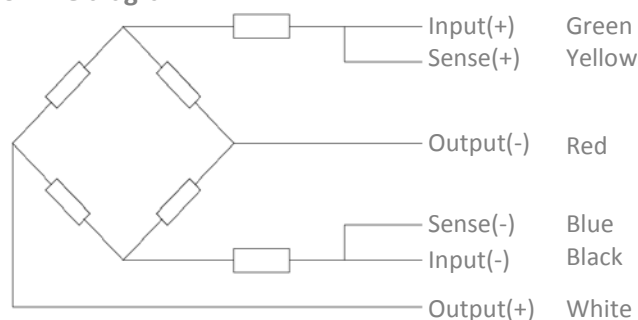
Shielded cable, 6 conductor cable.

Cable diameter: Ø6.2mm

Standard cable length: 6m

Shield not connected to element

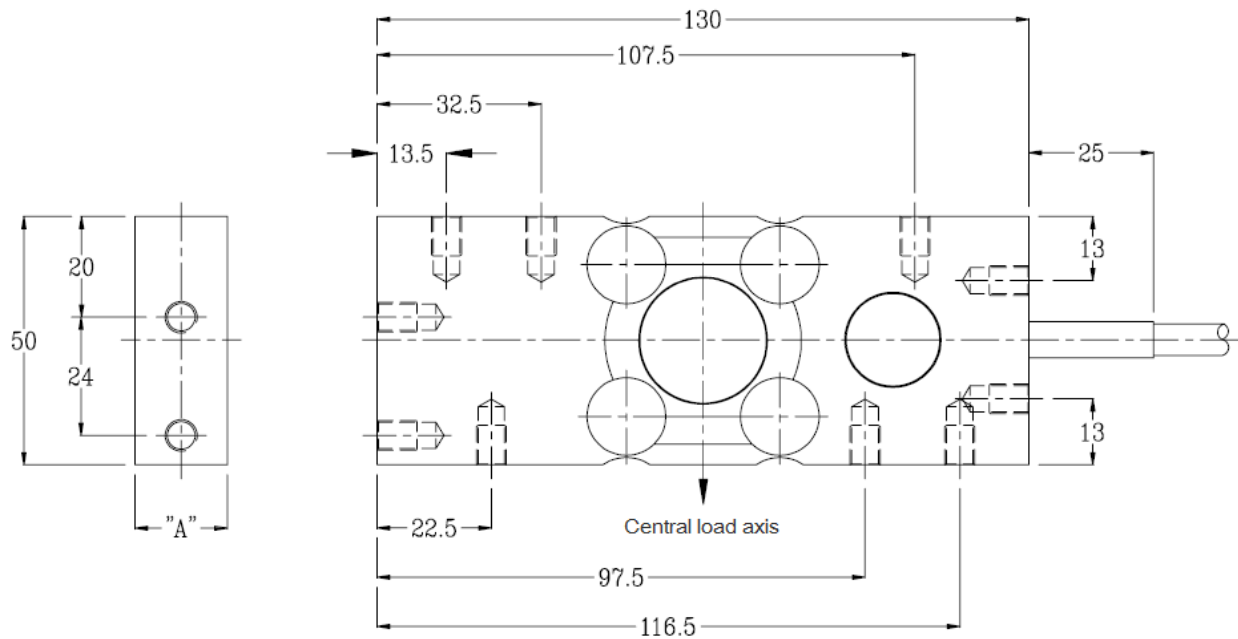
6-wire diagram



Specifications and dimensions are subject to change without notice and do not constitute any liability whatsoever.

Type BM6A Load Cell

Dimensions in mm



Dimension Capacity	A
6kg, 12kg, 30kg	18.5
60kg	23.5

Specifications and dimensions are subject to change without notice and do not constitute any liability whatsoever.