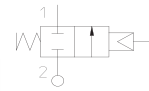


211A SERIES

Pneumatic valves, Angle seat valves

- 211A** are pneumatically actuated angle seat valves that come with:
- optimized body design for high flow rate
 - optimized body design that reduces water hammer effects
 - corrosion resistant body and actuator housing
 - optical position indicator
 - self adjusting stem packing for long service life
 - 360° adjustable actuator
 - Easily convertible design from NC to NO or double acting



TECHNICAL DATA

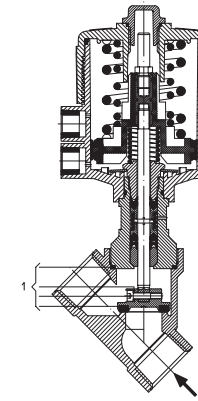
PIPES	G 1/2 + G 2
ACTUATOR SIZE	ø 50 mm (stainless steel) ø 70 mm (PA66)
FLOW DIRECTION	below seat
CONTROL TYPE	single acting normally open, normally closed and double acting
FLUID TEMPERATURE	-40°C +180°C
AMBIENT TEMPERATURE	-10°C +80°C (according to Atex requirements)
VISCOSITY	max 600 cSt
PILOT FLUID	dry or lubricated air and neutral fluids
PILOT FLUID TEMPERATURE	max + 60°C

MATERIALS

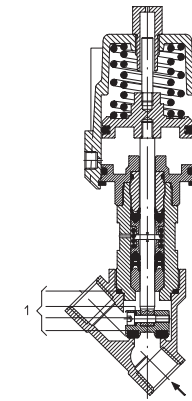
VALVE BODY	stainless steel AISI 316
MAIN SEAL	PTFE
STEM PACKING	PTFE, FKM
ACTUATOR HOUSING	glass fibre reinforced PA66 or stainless steel AISI 316
ACTUATOR GASKETS	NBR

• **CE**
 - 2014/68/EU (PED)
 up to 1" - art. 4.3
 above 1" - cat. I module A
 - 2014/34/EU (ATEX) Available on request.
 Refer to next pages for the complete marking

NC, PA66 ACTUATOR

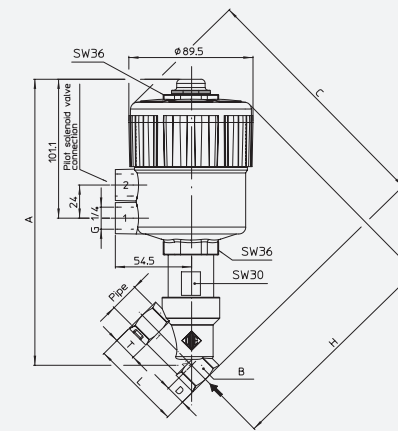


NC, STAINLESS STEEL ACTUATOR



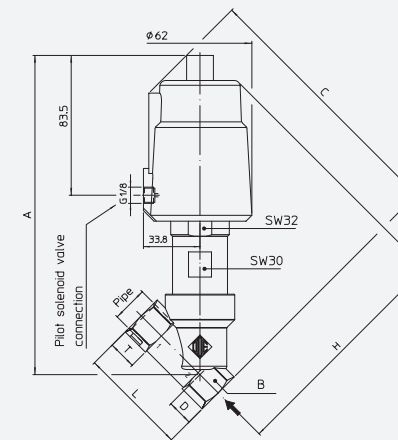
Process Valves & Components ■ Pneumatic valves ■ Angle seat valves ■ 211A SERIES

DRAWING 1



PIPE ISO 228/1	WEIGHT [kg]	DIMENSIONS [mm]						
		A	B	C	D	H	L	T
G1/2	1.4	206,8	SW27	178,7	15,4	163,3	65	17
G3/4	1.5	211,7	SW32	188,6	21,9	166,7	75,5	19
G1	1.8	220,1	SW41	197,8	25,1	172,7	90	21
G1 1/4	2.4	235,9	SW50	212,3	28,5	183,8	110	24
G1 1/2	2.7	238,9	SW55	217	31	186	122	25,2
G2	3.9	247,8	SW70	229,7	37,5	192,2	151	28,5

DRAWING 2



PIPE ISO 228/1	WEIGHT [kg]	DIMENSIONS [mm]						
		A	B	C	D	H	L	T
G1/2	1.6	190,6	SW27	156	15,4	139,7	65	17
G3/4	1.7	190,8	SW32	162	21,9	139,8	75	19
G1	2.1	200,3	SW41	168	25,1	146,6	90	20,5

Please read and agree our GENERAL CONDITIONS before placing an order. All the information are exclusive ownership of ODE S.r.l. All rights reserved ©ODE S.r.l.

■ Please check the compatibility of the fluids in contact with the materials at RFQ stage.
 ■ For pilot valve please refer to Series 31A of Chapter 1.

2/2 NC

PIPE	ORIFICE SIZE	Kv	ACTUATOR	ACTUATOR PILOT PRESSURE [bar]		DIFFERENTIAL PRESSURE [bar]		MAX ALLOWABLE PRESSURE [bar]	CODE	DRAWING REFERENCE
				MIN	MAX	MIN	MAX			
ISO 228/1	Ø [mm]	[l/min]	Ø [mm]					PS	STAINLESS STEEL	
G1/2	15	80	70	4	10	0	16	40	21IA4T15GC2	1
G3/4	20	150	70	4	10	0	10	40	21IA5T20GC2	1
G1	25	190	70	4	10	0	10	40	21IA6T25GC2	1
G1 1/4	32	340	70	4	10	0	7	25	21IA7T32GC2	1
G1 1/2	40	430	70	4	10	0	4,5	25	21IA8T40GC2	1
G2	50	620	70	4	10	0	3	16	21IA9T50GC2	1

2/2 NC HIGH PRESSURE

PIPE	ORIFICE SIZE	Kv	ACTUATOR	ACTUATOR PILOT PRESSURE [bar]		DIFFERENTIAL PRESSURE [bar]		MAX ALLOWABLE PRESSURE [bar]	CODE	DRAWING REFERENCE
				MIN	MAX	MIN	MAX			
ISO 228/1	Ø [mm]	[l/min]	Ø [mm]					PS	STAINLESS STEEL	
G1/2	15	80	70	4	10	0	35	40	21IA4T15GC2-H	1
G3/4	20	150	70	4	10	0	25	40	21IA5T20GC2-H	1
G1	25	190	70	4	10	0	20	40	21IA6T25GC2-H	1
G1 1/4	32	340	70	4	10	0	13	25	21IA7T32GC2-H	1
G1 1/2	40	430	70	4	10	0	8	25	21IA8T40GC2-H	1
G2	50	620	70	4	10	0	5,5	16	21IA9T50GC2-H	1

2/2 NO

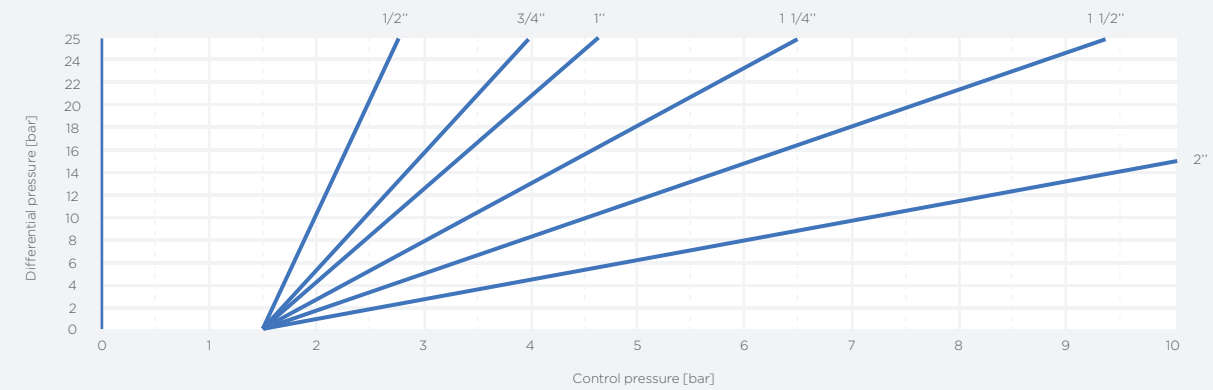
PIPE	ORIFICE SIZE	Kv	ACTUATOR	ACTUATOR PILOT PRESSURE [bar]		DIFFERENTIAL PRESSURE [bar]		MAX ALLOWABLE PRESSURE [bar]	CODE	DRAWING REFERENCE
				MIN	MAX	MIN	MAX			
ISO 228/1	Ø [mm]	[l/min]	Ø [mm]					PS	STAINLESS STEEL	
G1/2	15	80	70	1,5	10	0		40	21IA4T15GA2	1
G3/4	20	150	70	1,5	10	0		40	21IA5T20GA2	1
G1	25	190	70	1,5	10	0	SEE PRESSURE GRAPH	40	21IA6T25GA2	1
G1 1/4	32	340	70	1,5	10	0		25	21IA7T32GA2	1
G1 1/2	40	430	70	1,5	10	0		25	21IA8T40GA2	1
G2	50	620	70	1,5	10	0		16	21IA9T50GA2	1

2/2 DOUBLE ACTING

PIPE	ORIFICE SIZE	Kv	ACTUATOR	ACTUATOR PILOT PRESSURE [bar]		DIFFERENTIAL PRESSURE [bar]		MAX ALLOWABLE PRESSURE [bar]	CODE	DRAWING REFERENCE
				MIN	MAX	MIN	MAX			
ISO 228/1	Ø [mm]	[l/min]	Ø [mm]					PS	STAINLESS STEEL	
G1/2	15	80	70	5	10	0	35	40	21IA4T15GD2	1
G3/4	20	150	70	5	10	0	25	40	21IA5T20GD2	1
G1	25	190	70	5	10	0	20	40	21IA6T25GD2	1
G1 1/4	32	340	70	5	10	0	13	25	21IA7T32GD2	1
G1 1/2	40	430	70	5	10	0	8	25	21IA8T40GD2	1
G2	50	620	70	5	10	0	5,5	16	21IA9T50GD2	1

2/2 NC WITH STAINLESS STEEL ACTUATOR

PIPE	ORIFICE SIZE	Kv	ACTUATOR	ACTUATOR PILOT PRESSURE [bar]		DIFFERENTIAL PRESSURE [bar]		MAX ALLOWABLE PRESSURE [bar]	CODE	DRAWING REFERENCE
				MIN	MAX	MIN	MAX			
ISO 228/1	Ø [mm]	[l/min]	Ø [mm]					PS	STAINLESS STEEL	
G1/2	15	80	50	5	8	0	25	40	21IA4T15GCI-5	2
G3/4	20	150	50	5	8	0	15	40	21IA5T20GCI-5	2
G1	25	190	50	5	8	0	10	40	21IA6T25GCI-5	2



I 2 II 1 III IA IV 4 V T VI 15 VII G VIII C IX 2 X -

- I. NUMBER OF WAYS**
2 - 2 - way
- II. NUMBER OF ELEMENTS**
1 - 1 element
- III. SERIES**
IA
- IV. PIPE**
4 - 1/2"
5 - 3/4"
6 - 1"
7 - 1 1/4"
8 - 1 1/2"
9 - 2"
- V. SEALING MATERIAL**
T - PTFE
- VI. NOMINAL DIAMETER**
15 - DN15
20 - DN20
25 - DN25
32 - DN32
40 - DN40
50 - DN50
- VII. THREAD TYPE**
G - ISO 228/1
- VIII. PILOT FUNCTION**
C - Normally Closed
A - Normally Open
D - Double Effect
- IX. PILOT THREAD SIZE**
1 - G1/8
2 - G1/4
- X. OPTIONS**
5 - Stainless steel actuator
H - High pressure version
IPI - Position indicator
A - ATEX version
HA - High pressure ATEX version
5A - ATEX Version with StSt Actuator

CODIFICATION

OPTION	VALVE TYPE	VALVE SIZE/CONNECTIONS						NOTES
		G1/2	G3/4	G1	G1 1/4	G1 1/2	G2	
5	2/2 NC	X	X	X				
H	2/2 NC	X	X	X	X	X	X	
IPI	2/2 NC, NO	X	X	X	X	X	X	
A	2/2 NC, NO	X	X	X	X	X	X	REF. 2/2 NC, NO TABLES
HA	2/2 NC	X	X	X	X	X	X	REF. TO -H VERS TABLE
5A	2/2 NC	X	X	X				

OPTIONS AVAILABILITY

According to Directive 2014/34/EU ATEX
II 2G Ex h IIC T6 o TX Gb
(-40°C ≤ Tamb ≤ 80°C)
for actuator Ø70mm

According to Directive 2014/34/EU ATEX
II 2G Ex h IIC T6...T3 Gb
II 2D Ex h IIC T80°C...T180°C Db
(-40 °C ≤ Tamb ≤ 80°C)
for actuator Ø50mm